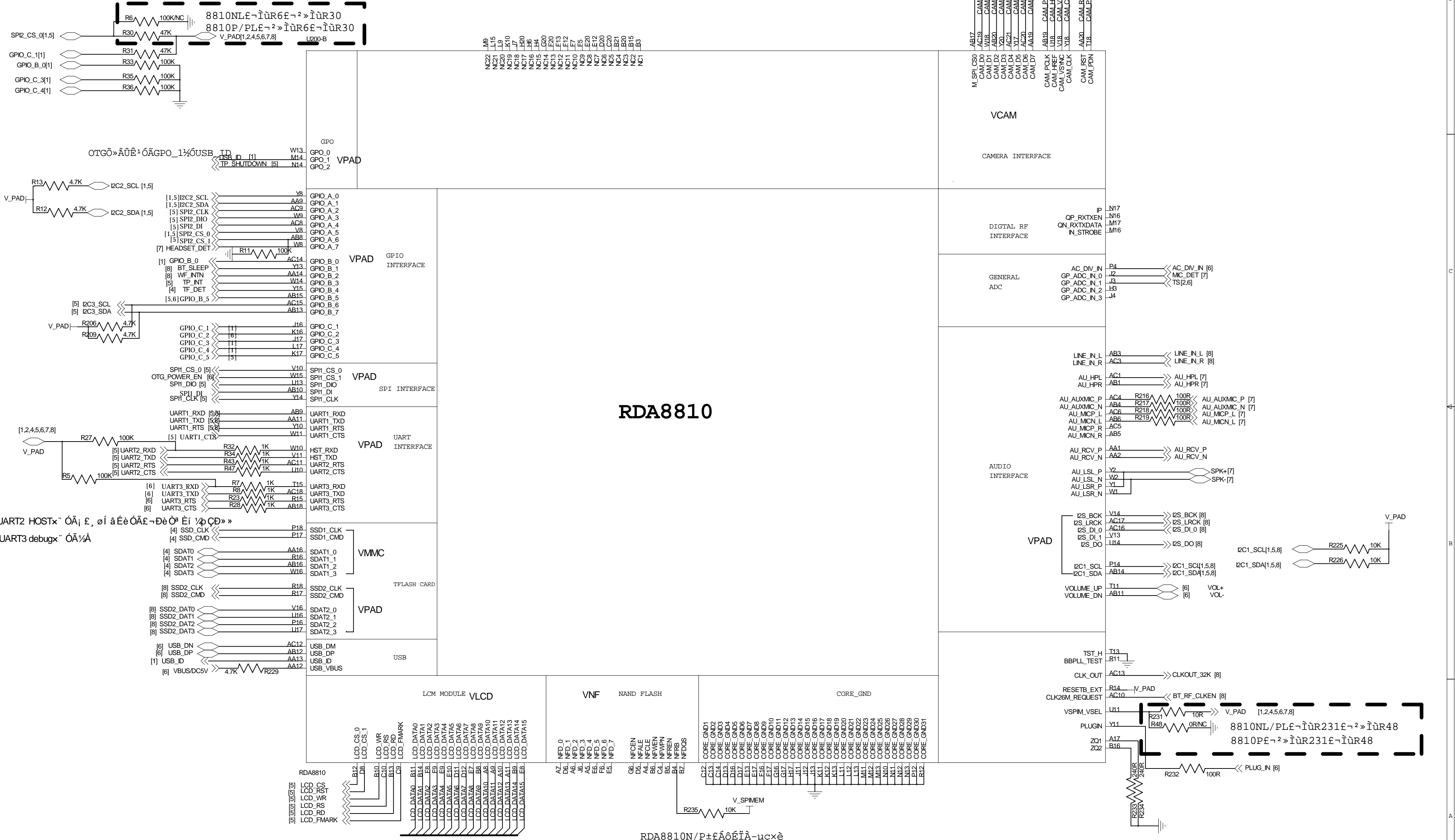


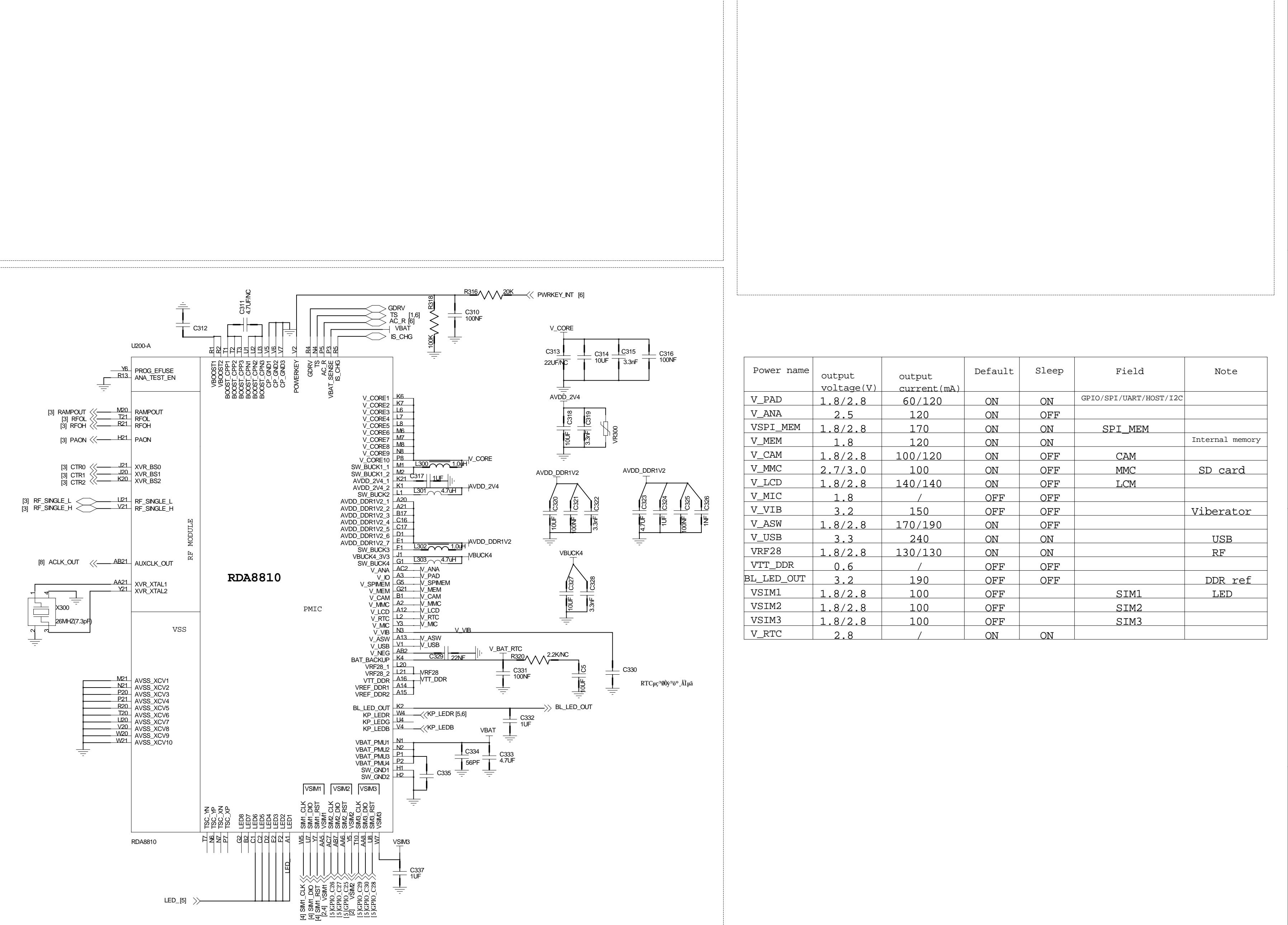
BOOTMODE	GPIO_A_5	GPIO_B_0	GPIO_C_1	GPIO_C_2	GPIO_C_3	GPIO_C_4	VSPIM_VSEL
RDA8810NL	0	0	1	0	0	0	1
RDA8810P	1	0	1	0	0	0	0
RDA8810PL	1	0	1	0	0	0	1



**RDA8810**

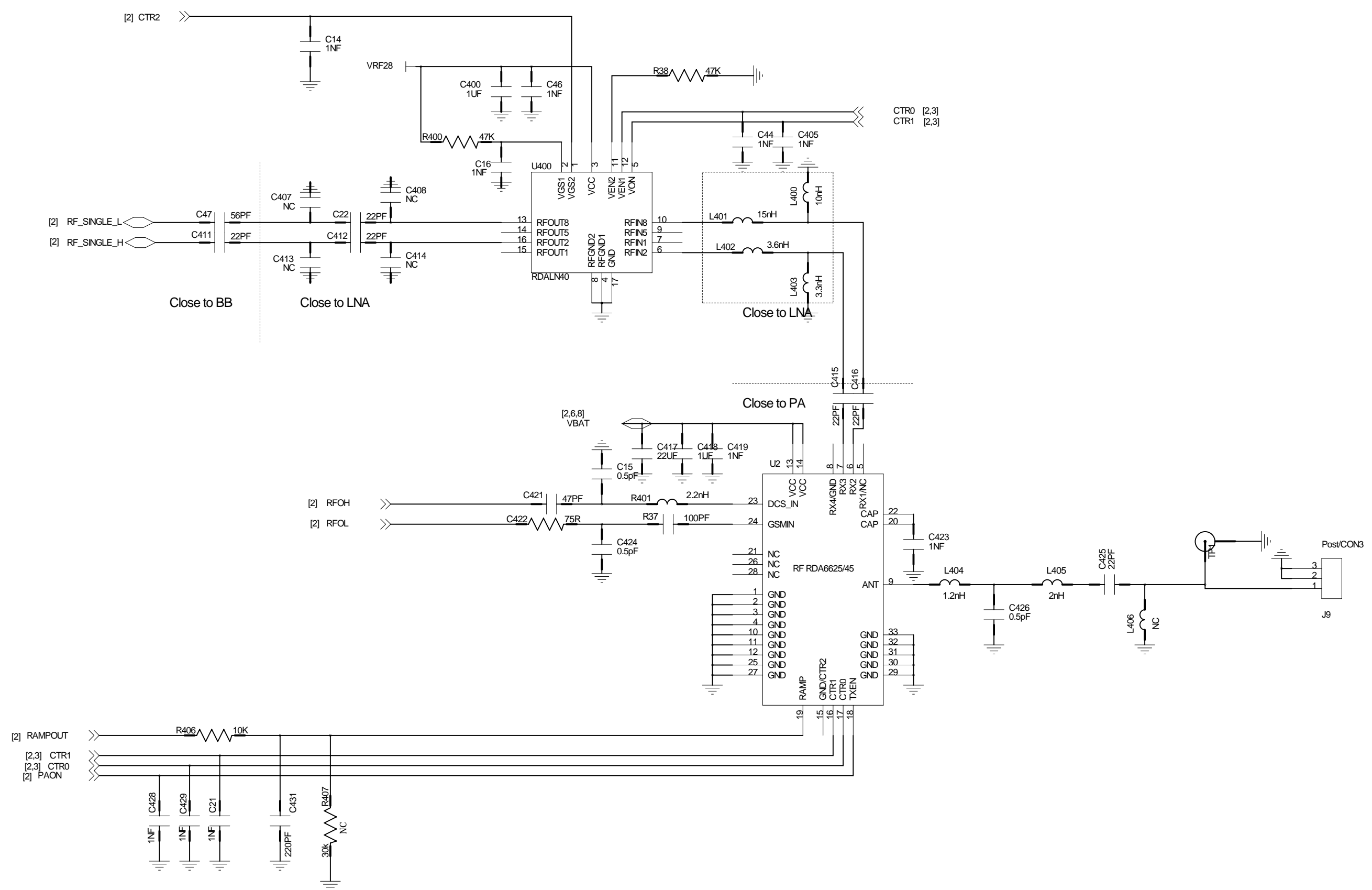
RDA8810N/P ±fÁðÉİÄ-µç×è

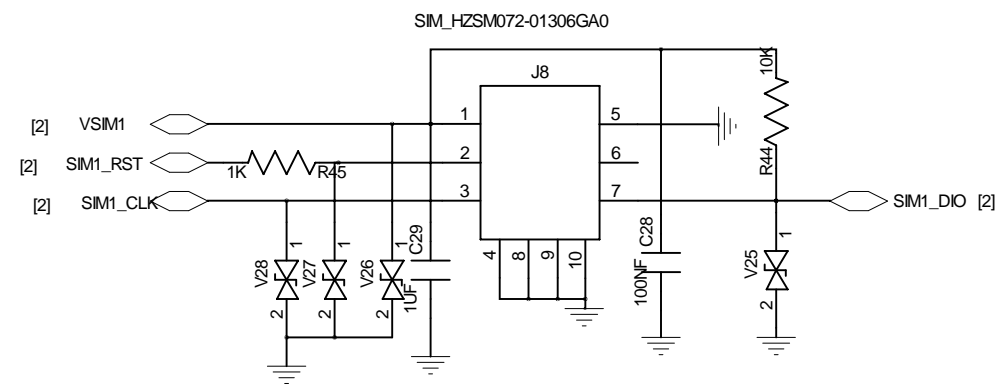
<b>Xunlong Software</b>			
Design Name			
<b>2G-IOT-V1.4</b>			
Size	C	Page Name	<b>RDA8810NL&amp;P&amp;PL_BB</b>
Date:	Monday - April 10 - 2017	Sheet	1 of 8



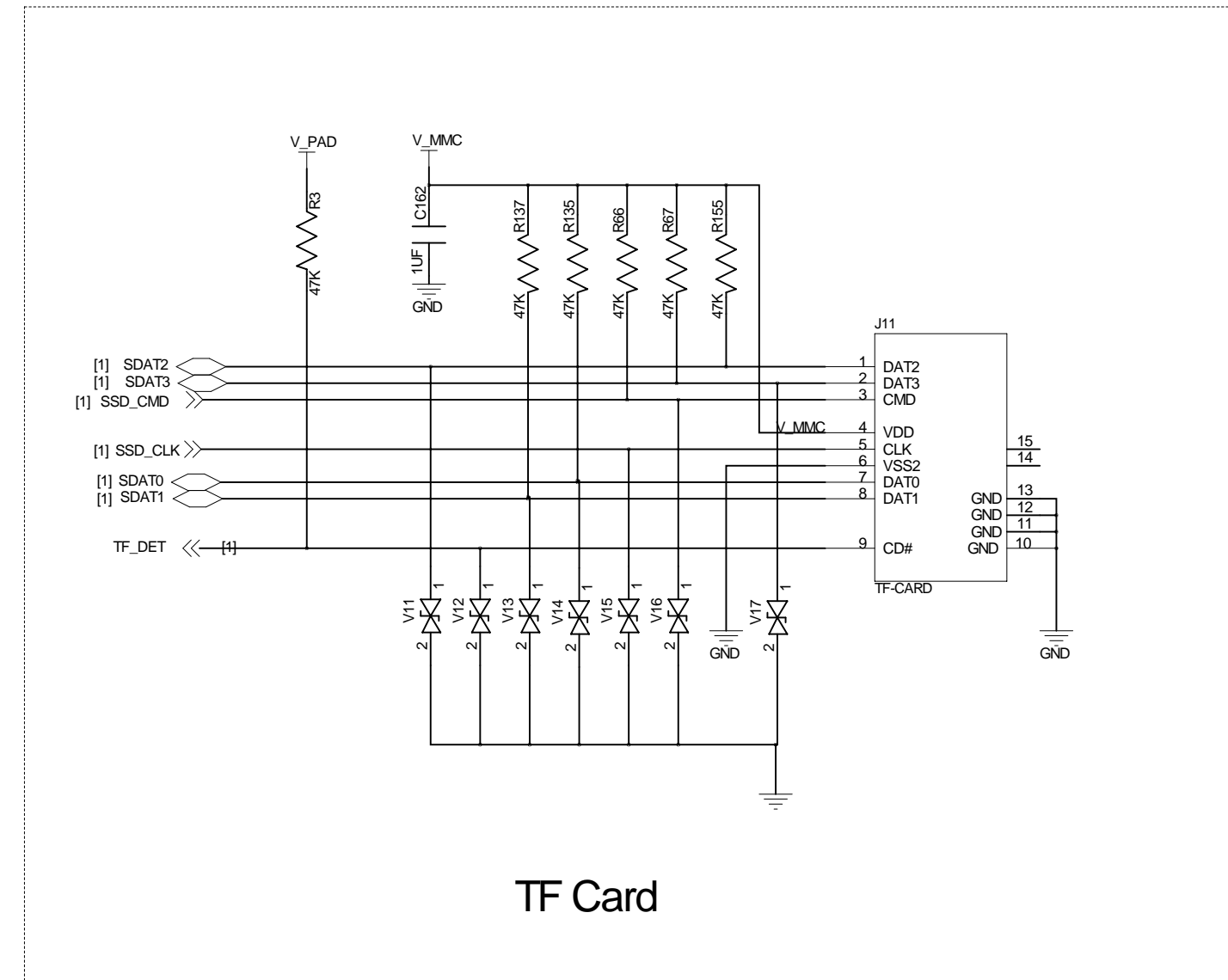
Power name	output voltage(V)	output current(mA)	Default	Sleep	Field	Note
V_PAD	1.8/2.8	60/120	ON	ON	GPIO/SPI/UART/HOST/I2C	
V_ANA	2.5	120	ON	OFF		
VSPI_MEM	1.8/2.8	170	ON	ON	SPI_MEM	
V_MEM	1.8	120	ON	ON		Internal memory
V_CAM	1.8/2.8	100/120	ON	OFF	CAM	
V_MMC	2.7/3.0	100	ON	OFF	MMC	SD card
V_LCD	1.8/2.8	140/140	ON	OFF	LCM	
V_MIC	1.8	/	OFF	OFF		
V_VIB	3.2	150	OFF	OFF		Vibrator
V_ASW	1.8/2.8	170/190	ON	OFF		
V_USB	3.3	240	ON	ON		USB
VRF28	1.8/2.8	130/130	ON	ON		RF
VTT_DDR	0.6	/	OFF	OFF		
BL_LED_OUT	3.2	190	OFF	OFF		DDR ref
VSIM1	1.8/2.8	100	OFF	OFF	SIM1	LED
VSIM2	1.8/2.8	100	OFF	OFF	SIM2	
VSIM3	1.8/2.8	100	OFF	OFF	SIM3	
V_RTC	2.8	/	ON	ON		

RDA8810 AB

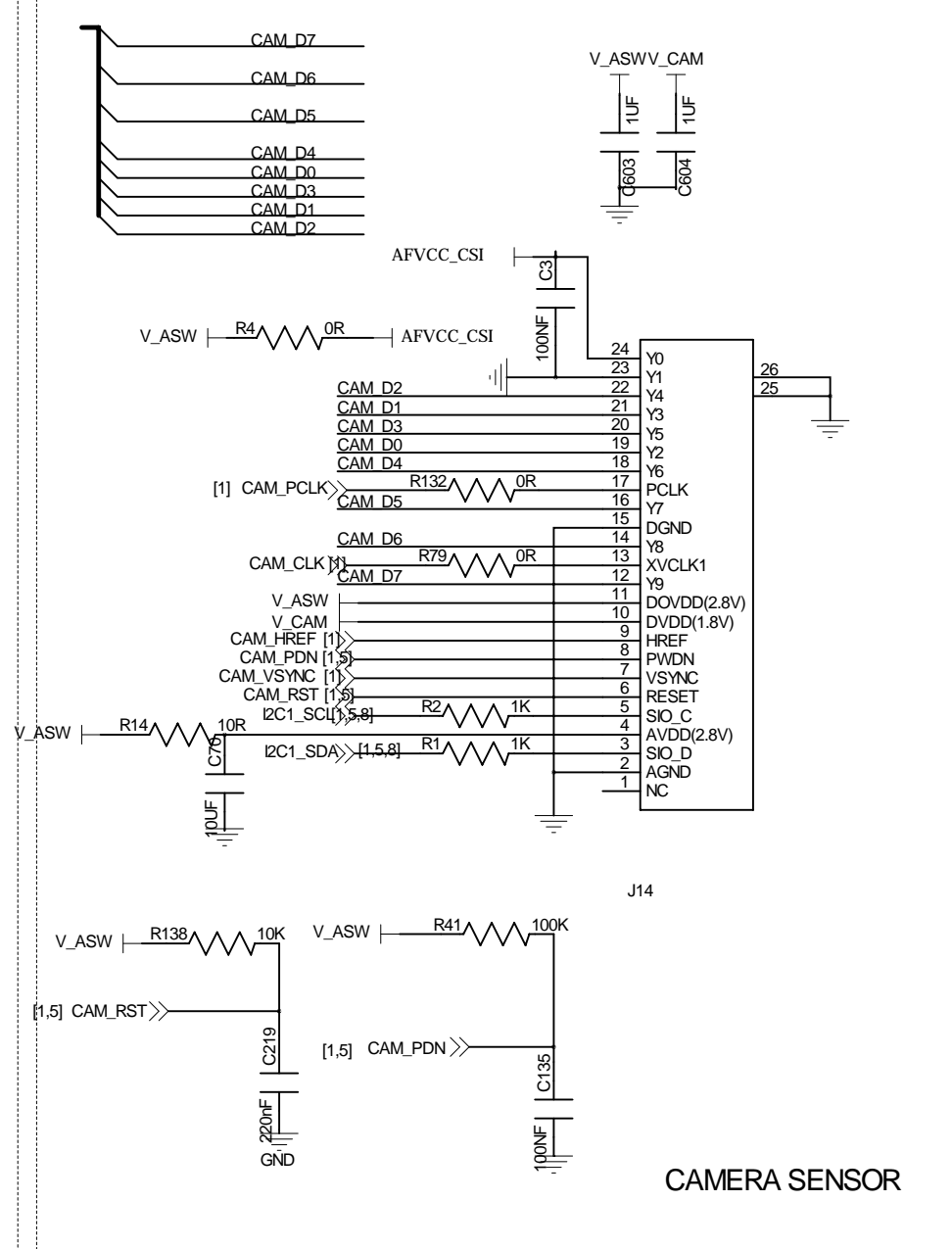
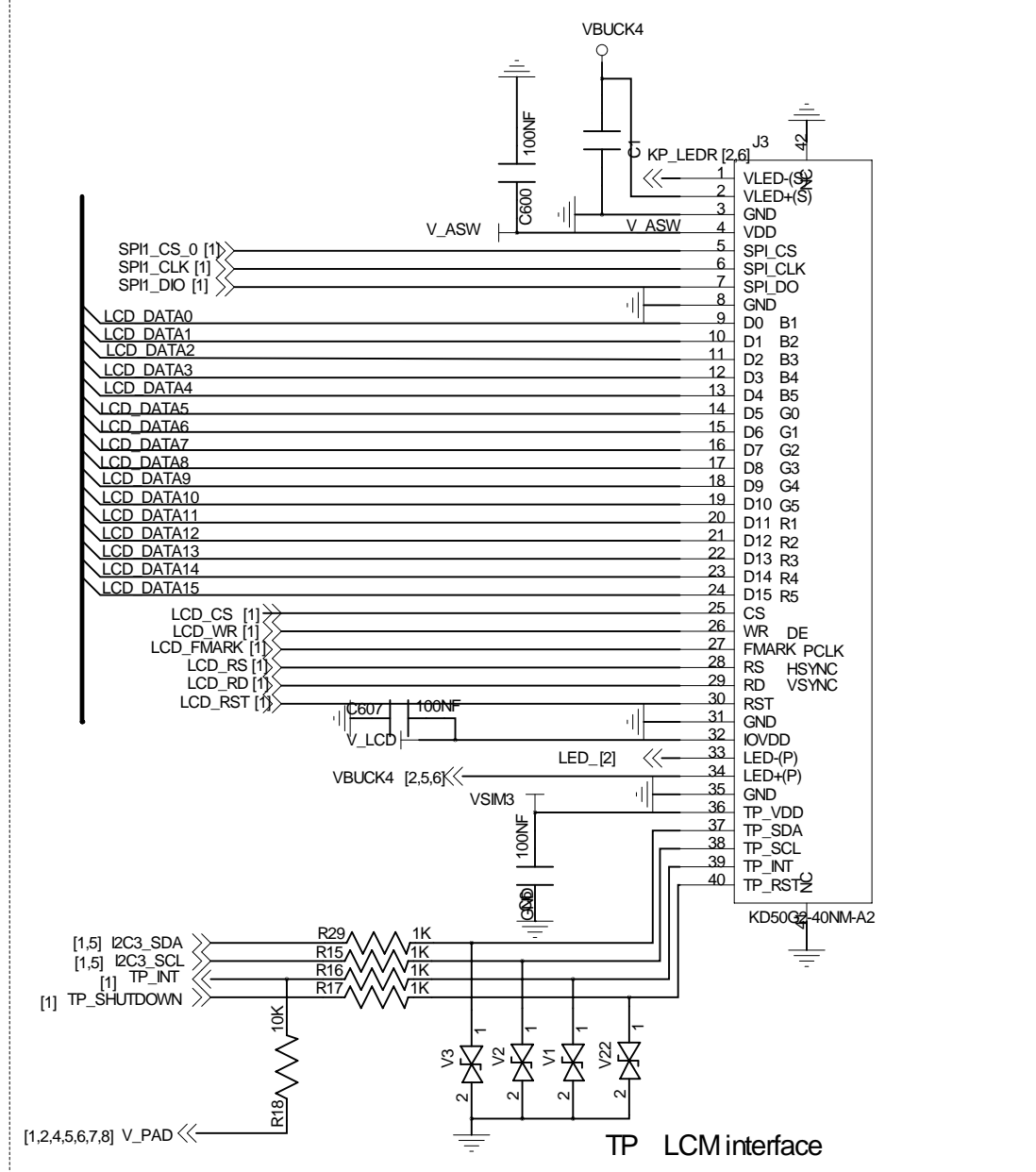




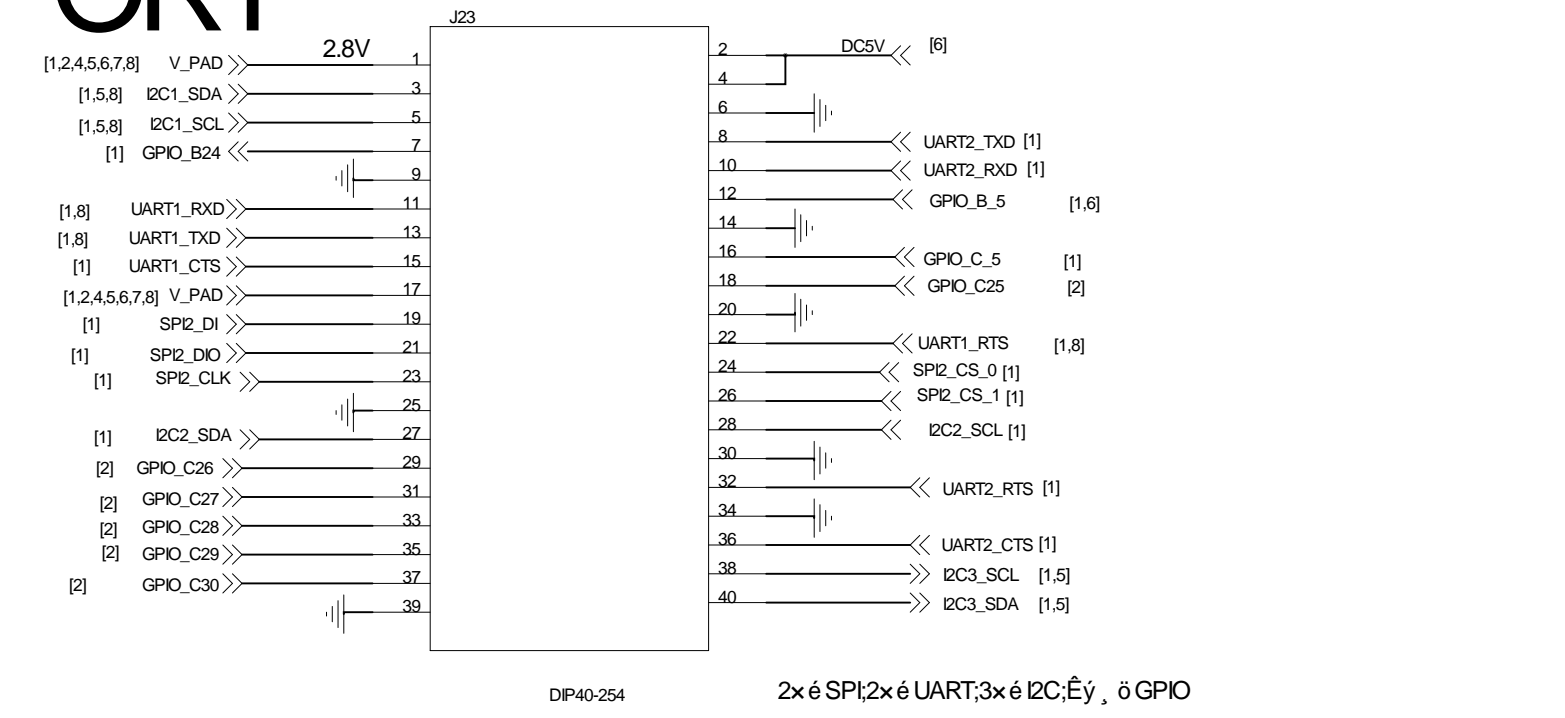
SIM Card



TF Card

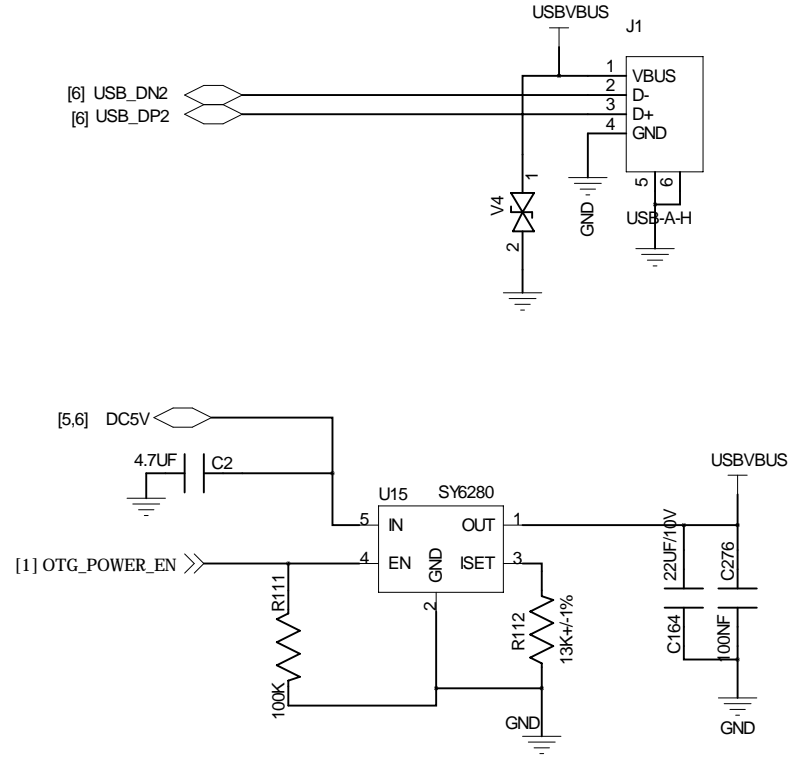


# EXPORT



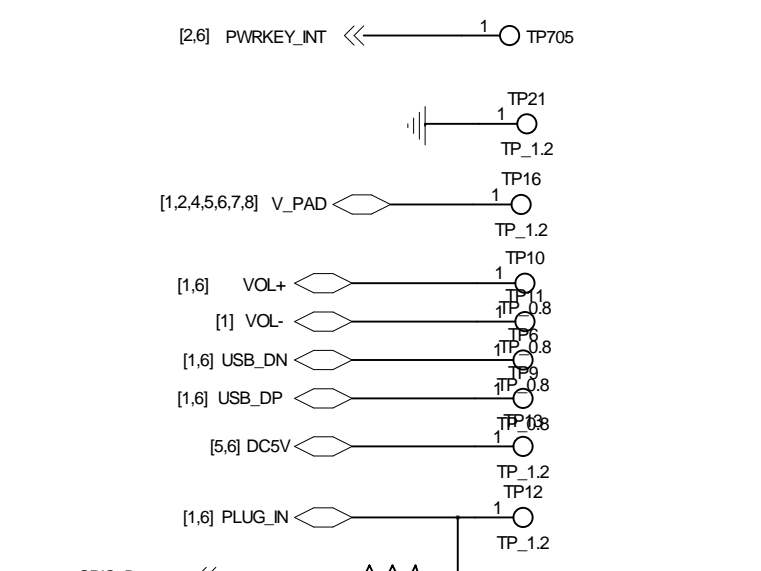
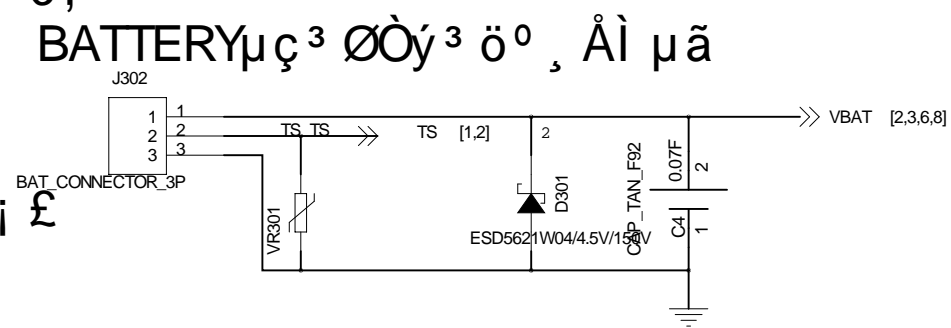
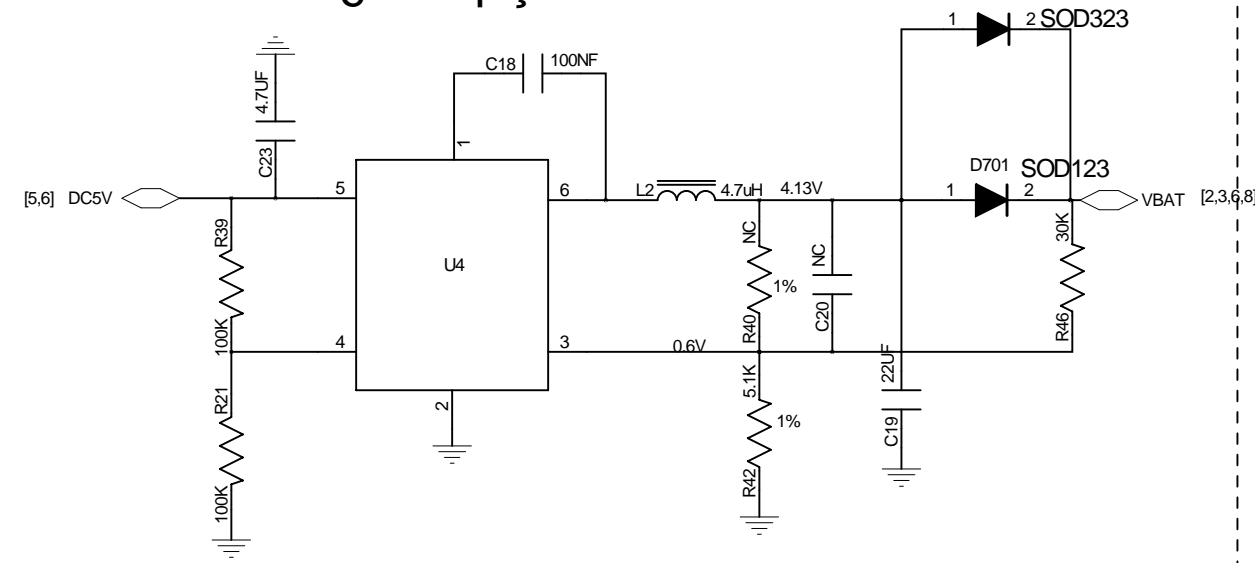
<b>Xunlong Software</b>		
Design Name <b>2G-IOT-V1.4</b>		
Size <b>C</b>	Page Name <b>LCM/CAMERA/EXPORT</b>	REV <b>1.4</b>
Date: Monday, April 10, 2017   Sheet 5 of 8		

### J1 Ö» x ö OTG USBÖ

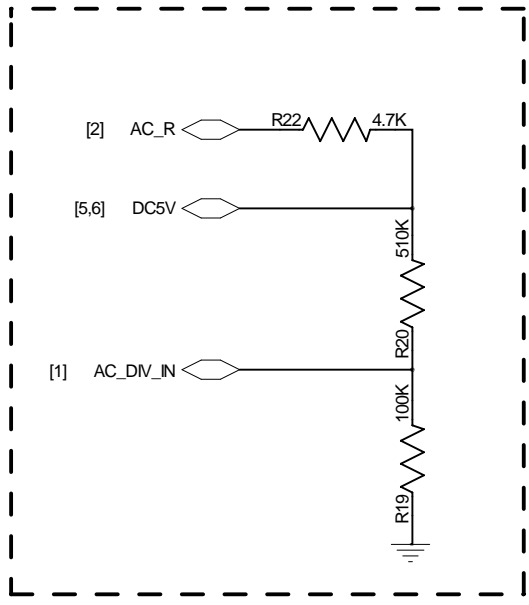
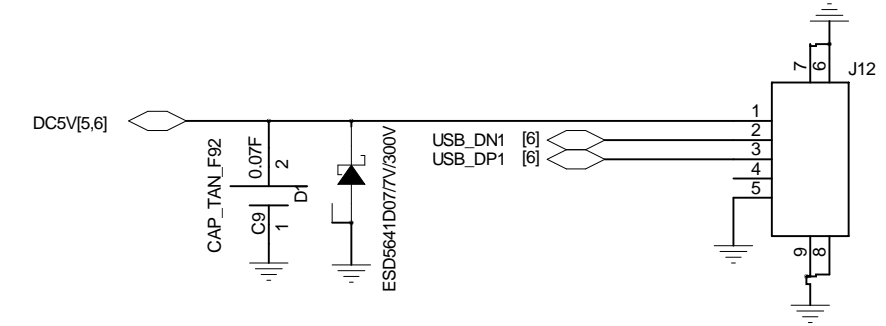


μ±Ö» ÖÁμç³ Ø£" ² » ÖÁDC JACK£©Ê±£-  
 ÖÉÓÚÖä, ö USB HOST; ÉÄÜòðí à½Öè±, ° Áμç±É½' ó,  
 μç³ ØÍ Þ. " ÁúxãÄä° Í Ö:° áí -Ê±¹ μx÷j £  
 ÈùÒÖUSB HOSTÖ» ÖÉDC JACK¹ ©μçj £  
 Ö² ¾¼ ÊÇÈμμ±Ö» ÖÁμç³ ØÊ±£-USB HOST² » ÄÜ¹ μx÷j £

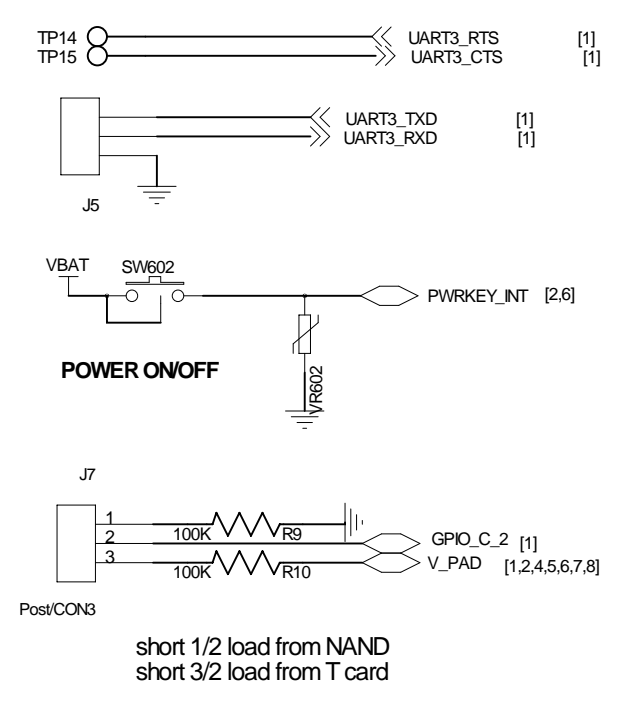
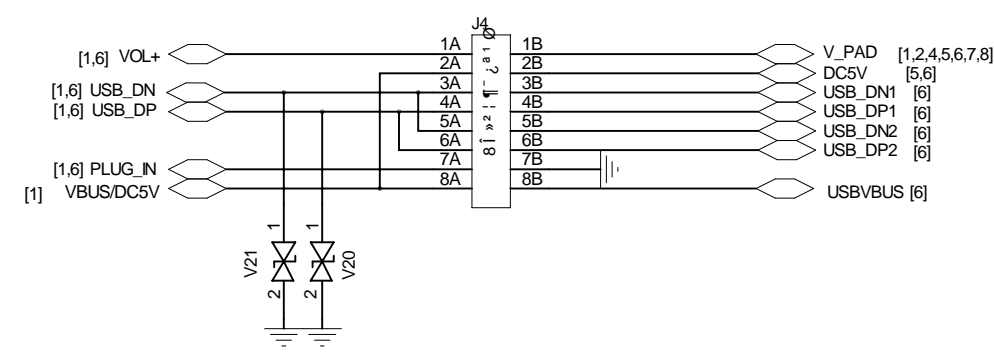
### DC5V xª » Îª Æ¼Æ½ª » úμçÑ¹



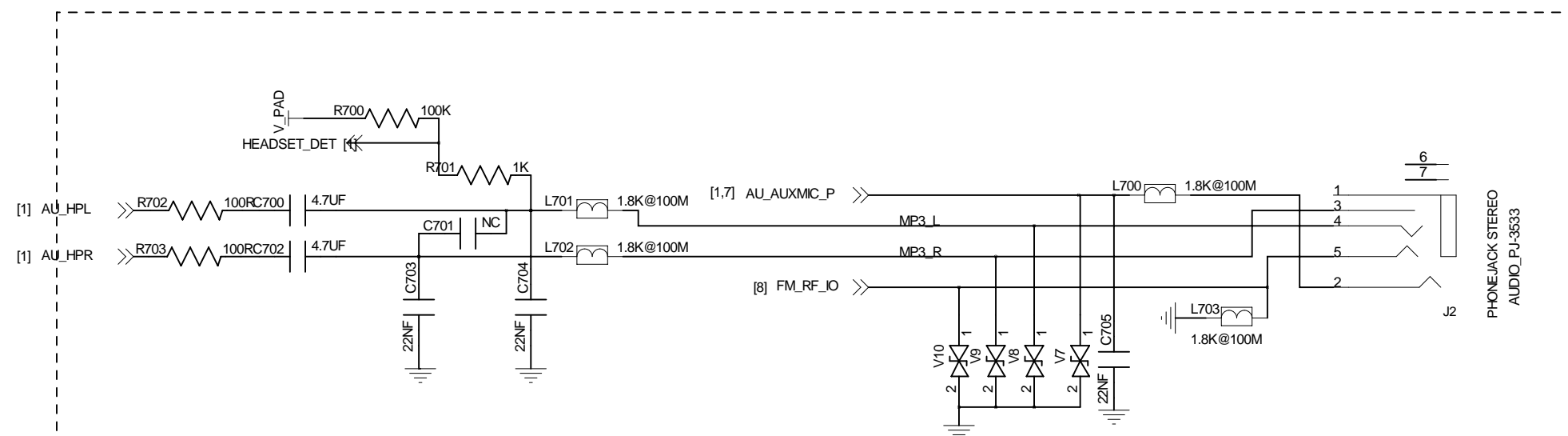
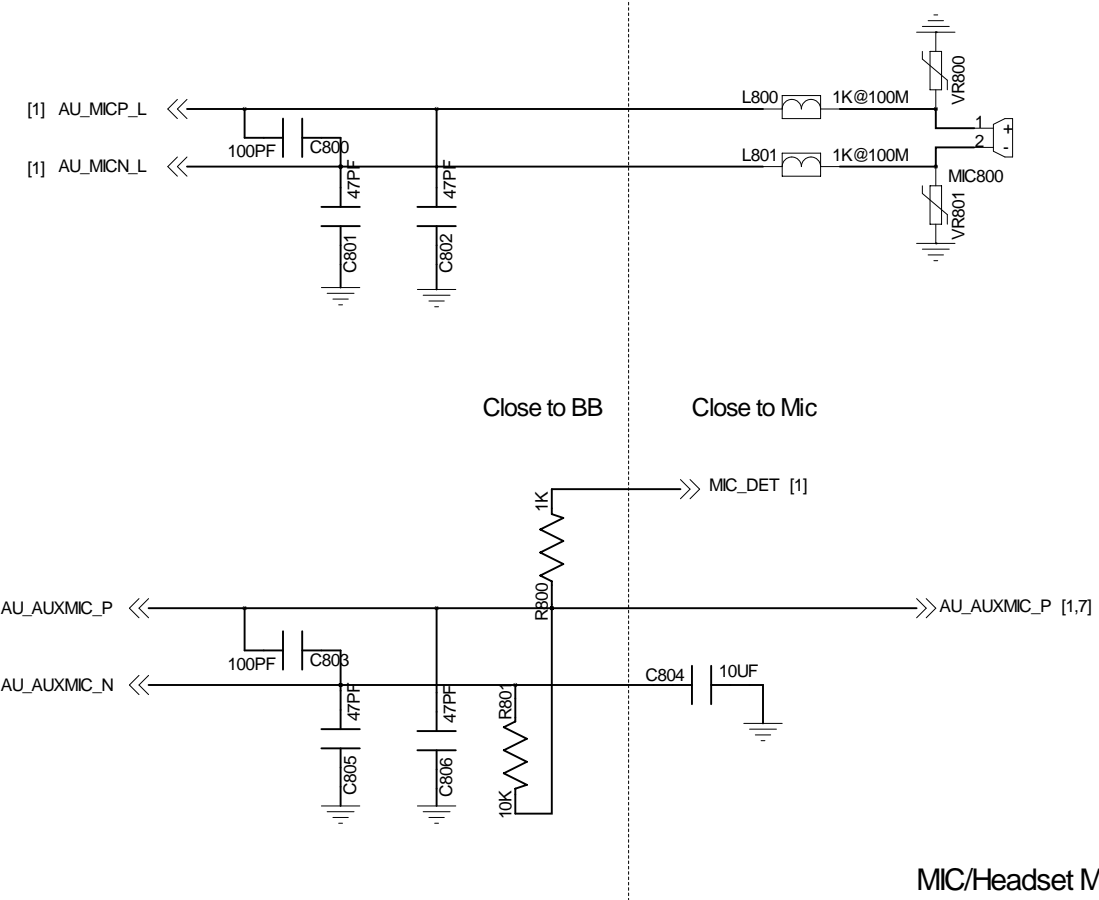
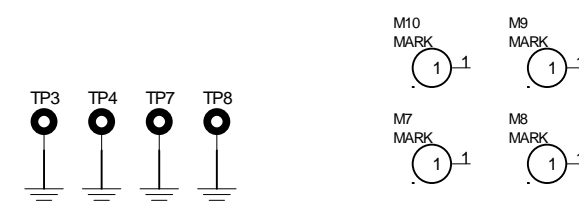
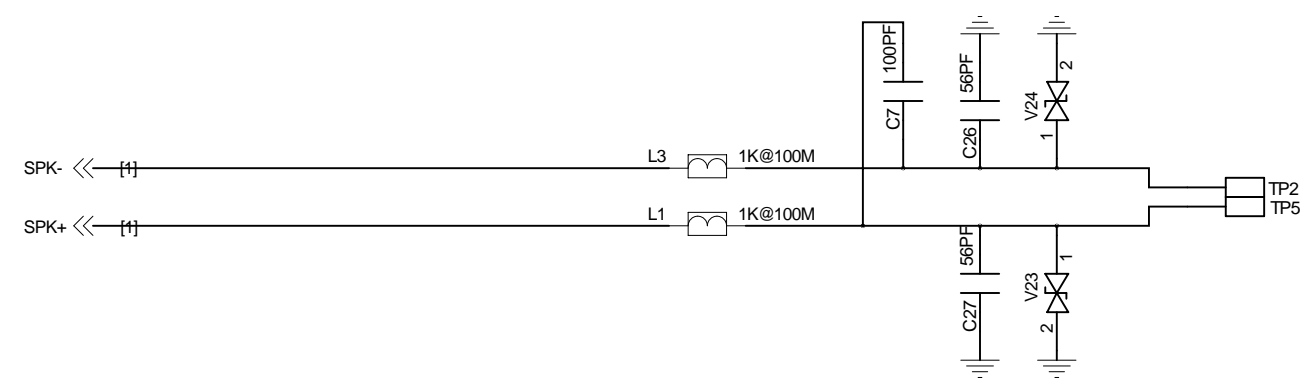
### D3 Ö, Ê¾Æ USB DC JACK(5VÊä Èè)



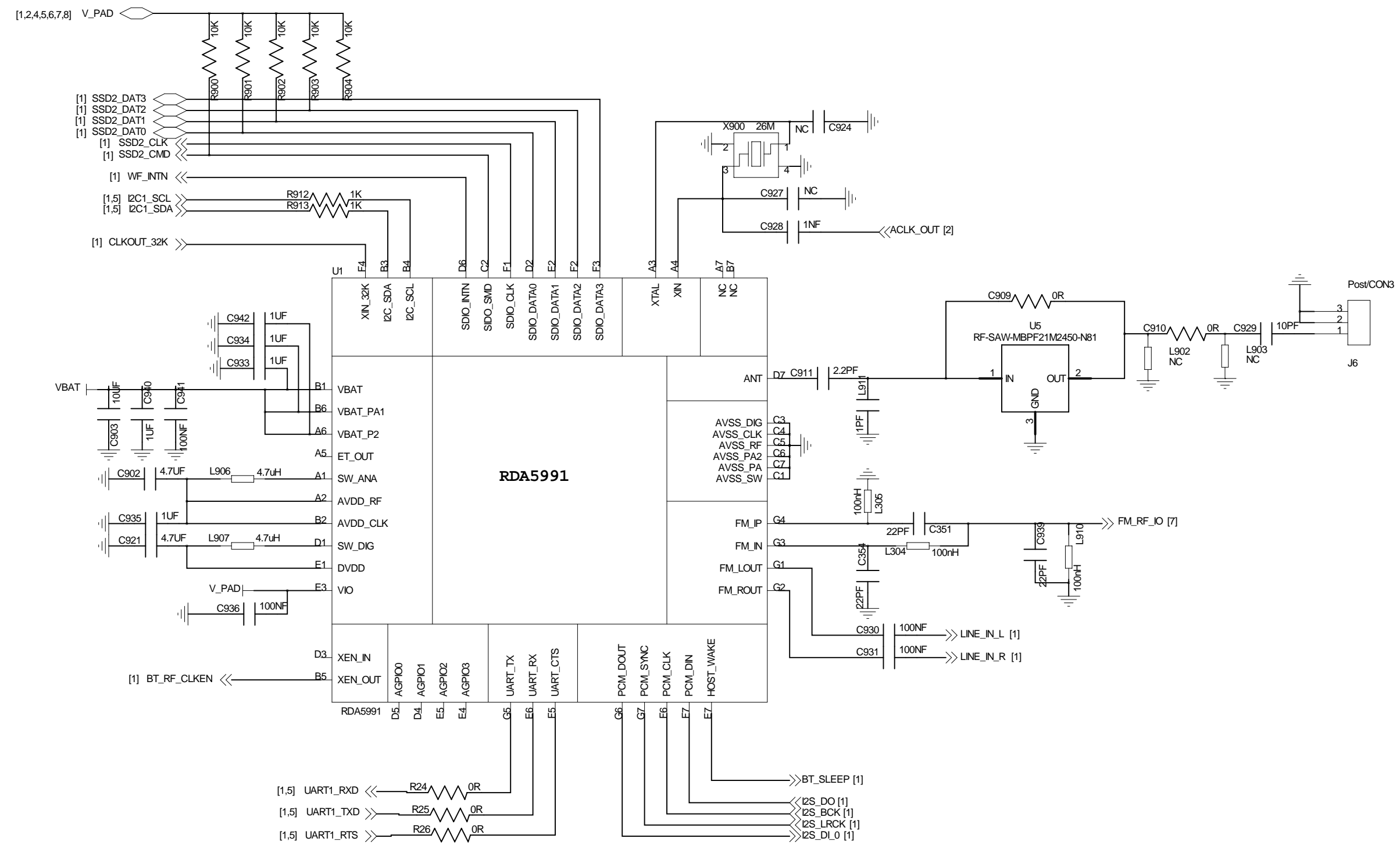
用USB下载方法:  
 先将开关拨到USB下载状态, 按住开机键, 插USB线到PC端。  
 short 2A/2B & 3A/3B & 4A/4B ½ Èè USBÄ£ È½  
 short 1A/1B & 2A/2B & 3A/3B & 4A/4B ½ Èè USBÍ ÁÖÄ£ È½  
 short 5A/5B & 6A/6B & 7A/7B & 8A/8B ½ Èè HOSTÄ£ È½



<b>Xunlong Software</b>		
Design Name	<b>2G-IOT-V1.4</b>	
Size	Page Name	REV
<b>C</b>	<b>IO_INTERFACE</b>	<b>1.4</b>
Date:	Monday£~April 10£~2017	Sheet 6 of 8



<b>Xulong Software</b>		
Design Name <b>2G-IOT-V1.4</b>		
Size <b>C</b>	Page Name <b>AUDIO &amp; TP</b>	REV <b>1.4</b>
Date: MondayE~April 10E~2017   Sheet 7 of 8		



<b>Xulong Software</b>		
Design Name	<b>2G-IOT-V1.4</b>	
Size	Page Name	REV
<b>C</b>	<b>WIFI/BT/FM_RDA5991</b>	<b>1.4</b>
Date:	Monday ~ April 10 ~ 2017	Sheet 8 of 8