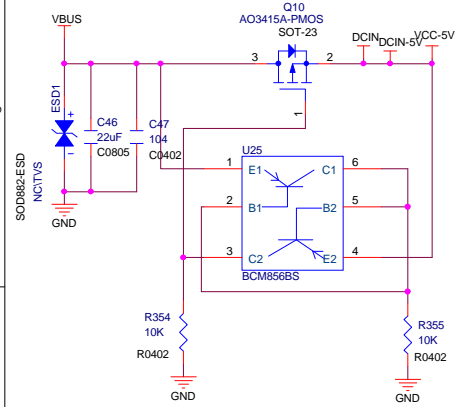
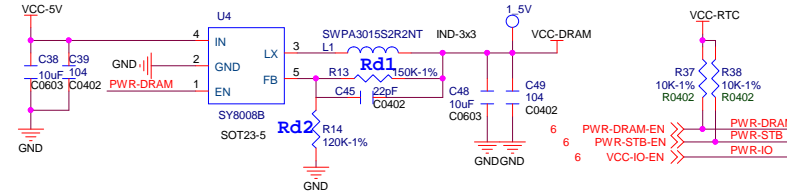


DCIN

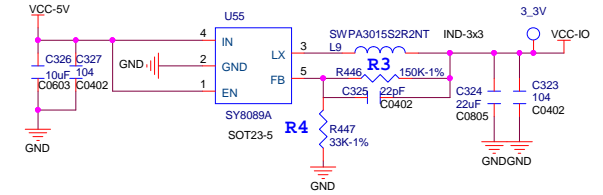


POWER

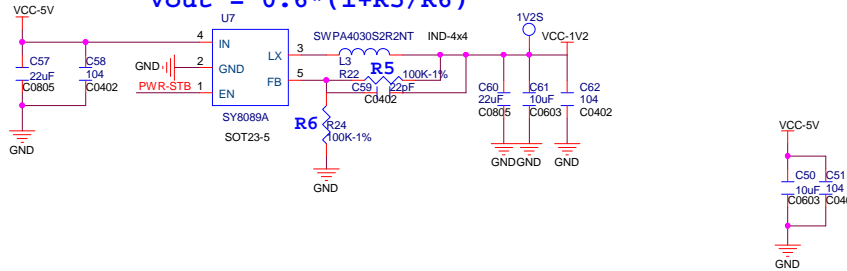
$V_{out} = 0.6 * (1 + R_{d1}/R_{d2})$
 $V_{DRAM} = 1.5V/1A, R_2 = 100K-1\%$
 $V_{DRAM} = 1.35V/1A, R_2 = 120K-1\%$



VCCIO 3.3V/2A



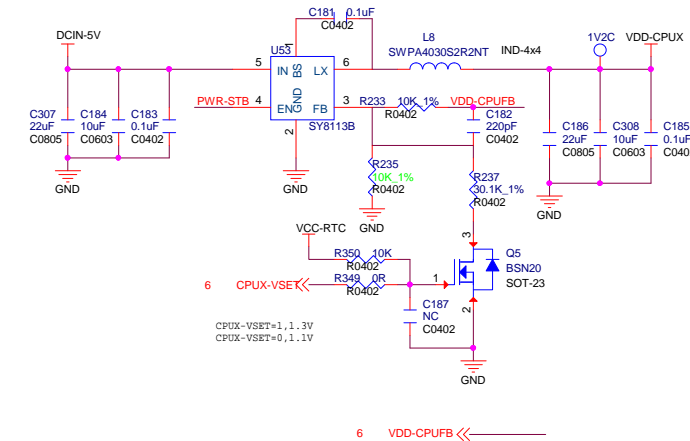
SYSTEM 1.2V/2A
 $V_{out} = 0.6 * (1 + R_5/R_6)$



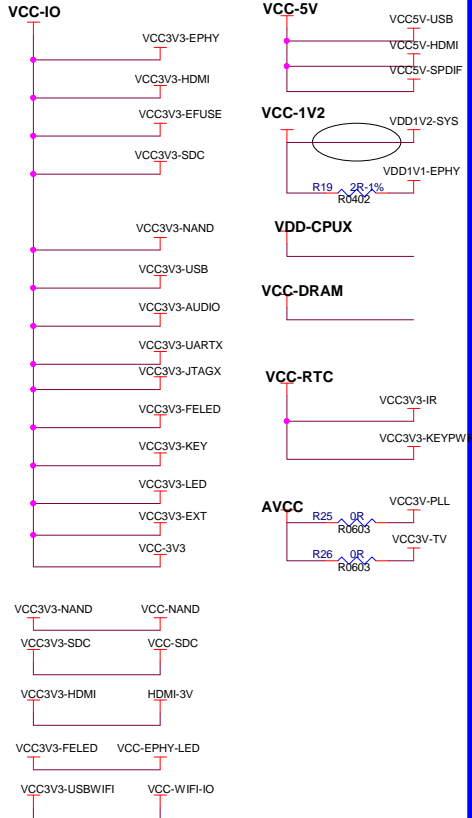
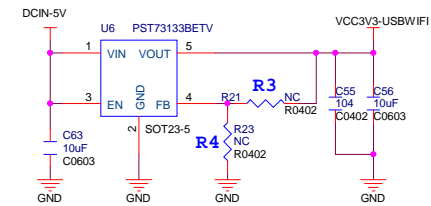
AVCC 3.3V/1A



CPUX 1.1V/1.3V/3A
 $V_{out} = 0.6 * (1 + R_1/R_2)$



WIFI Power 3.3V/300mA



Xunlong Software Co., Limited		
Design Name		
ORANGE PI-Zero		
Size	Page Name	Rev
A3	POWER	1.5
Date:	Tuesday, February 19, 2019	Sheet 7 of 12

USB

5

4

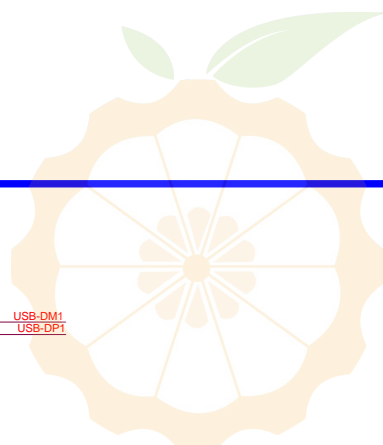
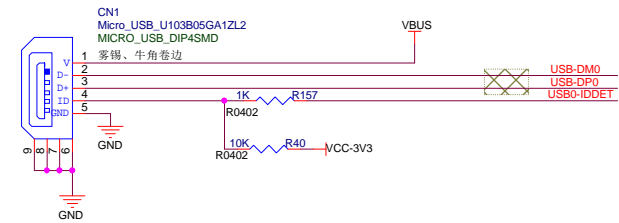
3

2

1

- 6 USB-DM0
- 6 USB-DP0

- 6 USB0-IDDET
- 6 USB0-DRVVBUS

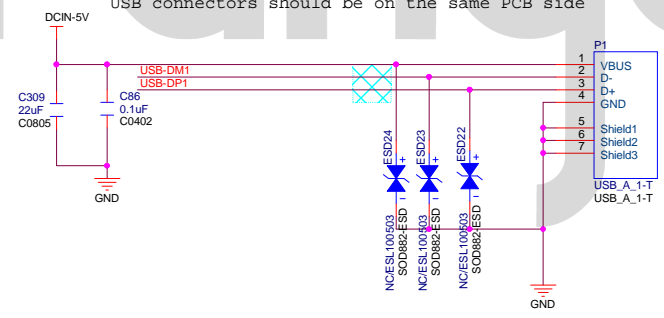


orange pi

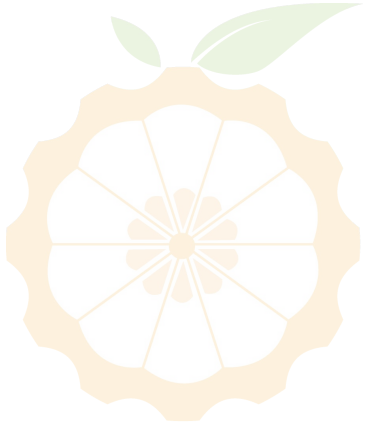
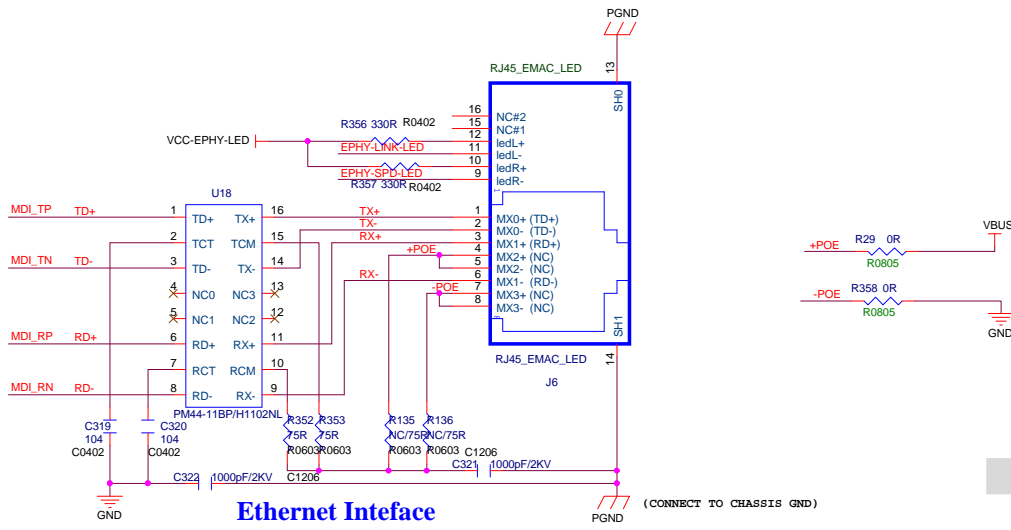
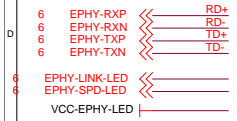
- 6 USB-DM1
- 6 USB-DP1

- 6 USB-DM1
- 6 USB-DP1

note: Make sure the routing between the ESD and the USB connectors should be on the same PCB side



EMAC

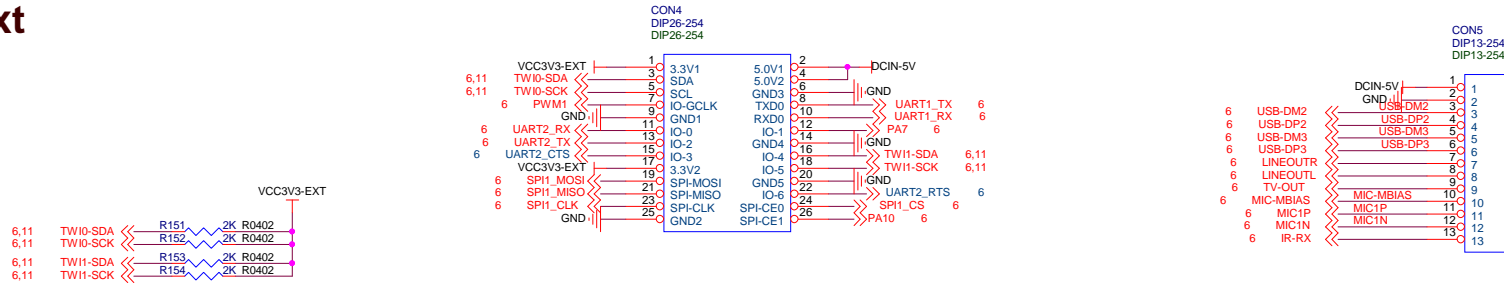


orange pi

	Xunlong Software Co., Limited		
	Design Name		ORANGE_PI-Zero
	Size	Page Name	Rev
	AS	FE-DBG	1.5
Date:	Tuesday, February 19, 2019	Sheet	10 of 12

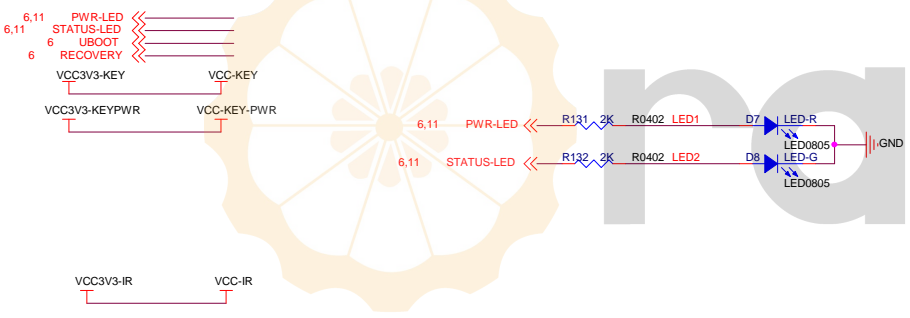
Ext Port

Ext

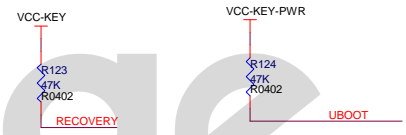


USB*2 @ AUDIO @ IR

LED



KEY



DEBUG



Xunlong Software Co., Limited		
Design Name		
ORANGE_PI-Zero		
Size A3	Page Name EXT	Rev 1.5
Date: Tuesday, February 19, 2019 Sheet 11 of 12		

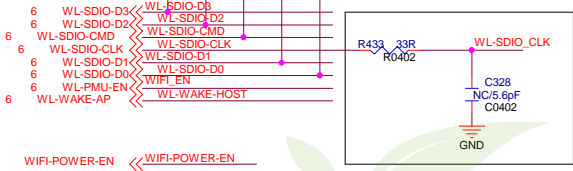
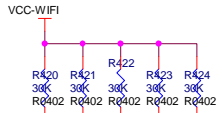
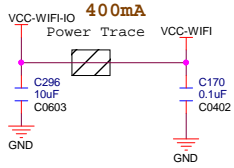
WIFI

5 4 3 2 1

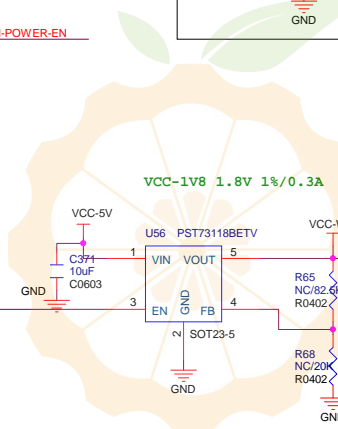
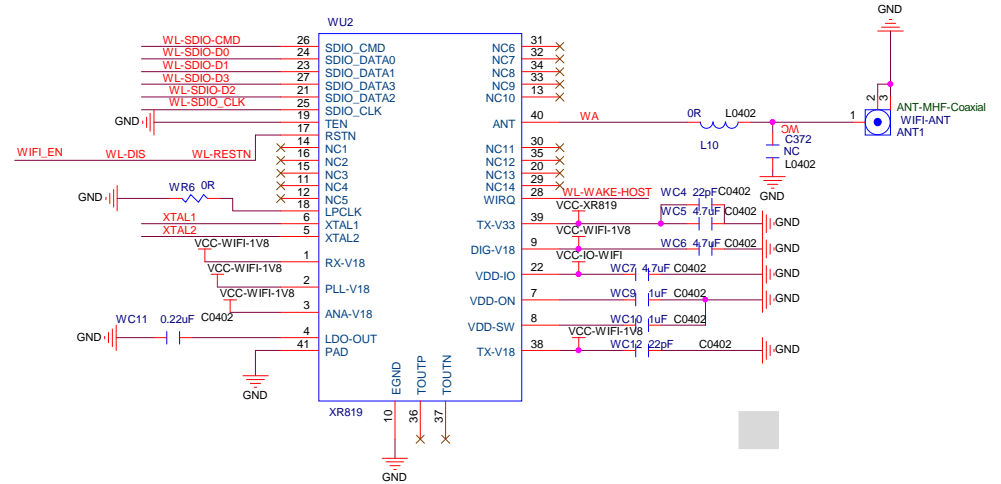
6 X24MI << X24MI
6 X24MO << X24MO

VCC3V3-USBWIFI VCC-WIFI-O

XR819 ON BOARD



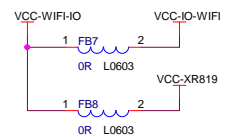
6 WIFI-POWER-EN << WIFI-POWER-EN




C370 and C369 depend on different MCUs.

注：
WC13焊接0R电阻，C370焊接5.6pF，
C369焊接5.6pF

注：主控晶振和匹配电容需要适配；
参考：
主控晶振短用型号：JW74.000
主控晶振匹配电容改为：
XC31焊接27pF，
XC41焊接12pF



 Xunlong Software Co., Limited			
			Design Name ORANGE_PI-Zero
Size A3	Page Name WIFI	Rev 1.5	
Date: Tuesday, February 19, 2019 Sheet 12 of 12			